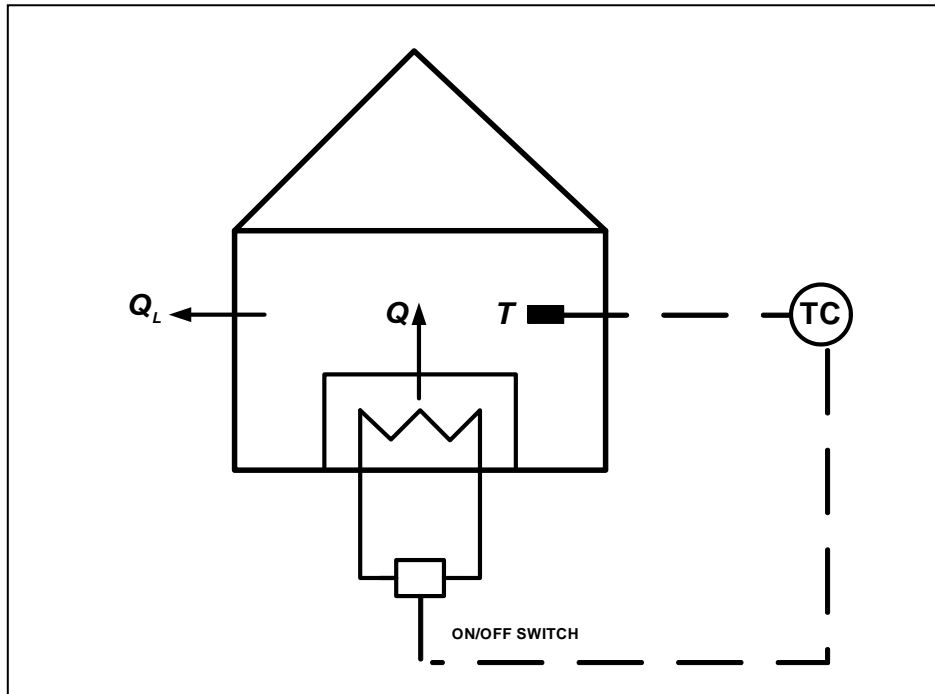


Chapter 1

1.1

- a) True
- b) True
- c) True
- d) False
- e) True

1.2



Controlled variable- T (house interior temperature)

Manipulated variable- Q (heat from the furnace)

Disturbance variable- Q_L (heat lost to surroundings); other possible sources of disturbances are the loss of gas pressure and the outside door opening. Specific disturbances include change in outside temperature, change in outside wind velocity (external heat transfer coefficient), the opening of doors or windows into the house, the number of people inside (each one generating and transmitting energy into the surrounding air), and what other electric lights and appliances of any nature are being used.

1.3

The ordinary kitchen oven (either electric or gas), the water heater, and the furnace (Ex. 1.2) all work similarly, generally using a feedback control mechanism and an electronic on-off controller. For example, the oven uses a thermal element similar to a thermocouple to sense temperature; the sensor's output is compared to the desired cooking temperature (input via dial or electronic set-point/display unit); and the gas or electric current is then turned on or off depending on whether the temperature is below or above the desired value. Disturbances include the introduction or removal of food from the oven, etc. A non-electronic household appliance that utilizes built-in feedback control is the water tank in a toilet. Here, a float (ball) on a lever arm closes or opens a valve as the water level rises and falls above the desired maximum level. The float height represents the sensor; the lever arm acting on the valve stem provides actuation; and the on-off controller and its set point are built into the mechanical assembly.

1.4

No, a microwave oven typically uses only a *timer* to operate the oven for a set (desired) period of time and a *power level* setting that turns the power on at its maximum level for a fixed fraction of the so-called duty cycle, generally several seconds.

Thus setting the Power Level at 6 (60% of full power) and the Cook Time to 1:30 would result in the oven running for a total of one and one-half minutes with the power proportioned at 60% (i.e., turned on 100% for 6 seconds and off for 4 seconds, if the fixed duty cycle is 10 seconds long). This type of control is sometimes referred to as programmed control, as it utilizes only time as the reference variable .

The big disadvantage of such an approach is that the operator (here the cook) has to estimate what settings will achieve the desired food temperature or will cook

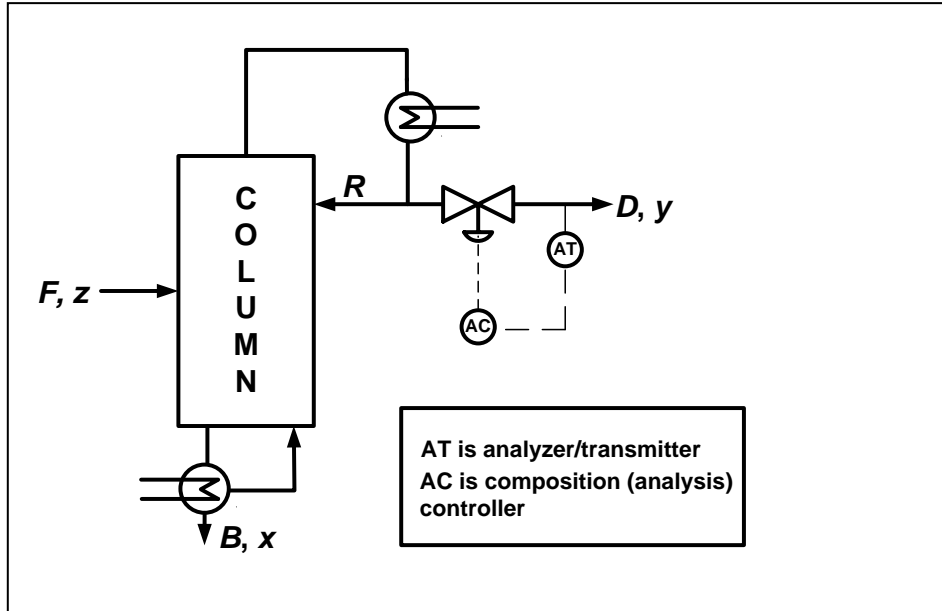
the food to the desired state. This can be dangerous, as many people can attest who have left a bag of popcorn in the oven too long and set the bag on fire, or embarrassing, as anyone knows who has served a frozen meal that did not quite thaw out, let alone cook. What good cooks do is provide a measure of feedback control to the microwave cooking process, by noting the smell of the cooking food or opening the door and checking occasionally to make sure it is heating correctly. However, anyone who has used a microwave oven to cook fish filets, for example, and blown them all over the oven, learns to be very conservative in the absence of a true feedback control mechanism. [Note that more expensive microwaves do come equipped with a temperature probe that can be inserted into the food and a controller that will turn off the oven when the temperature first reaches the desired (set point) value. But even these units will not truly control the temperature.]

1.5

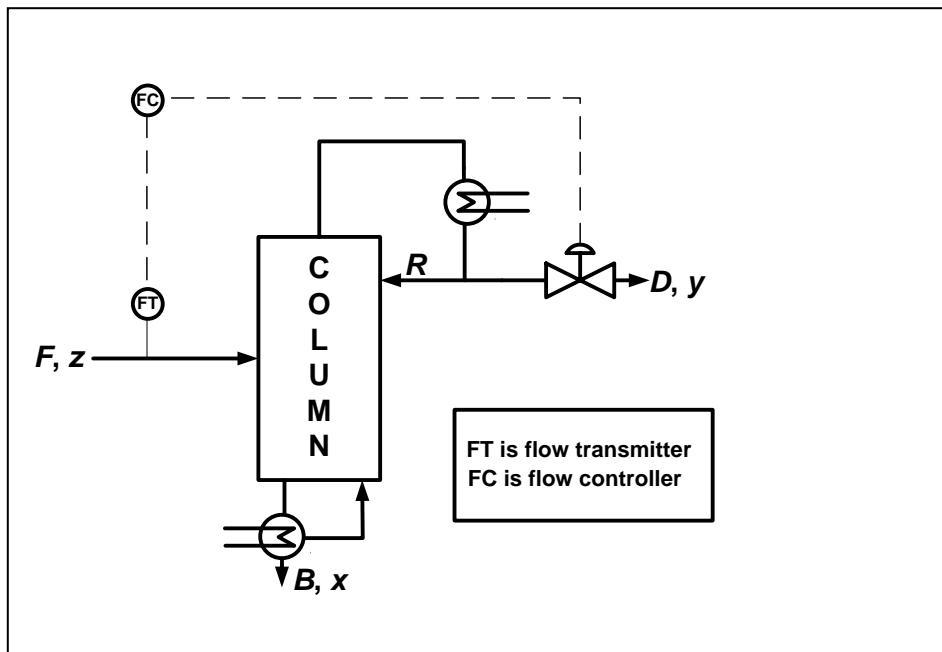
- a) In steering a car, the driver's eyes are the sensor; the driver's hands and the steering system of the car serve as the actuator; and the driver's brain constitutes the controller (formulates the control action i.e., turning the steering wheel to the right when the observed position of the car within its desired path is too far to the left and vice versa). Turns in the road, obstructions in the road that must be steered around, etc. represent disturbances.
- b) In braking and accelerating, a driver has to estimate mentally (on a practically continuous basis) the distance separating his/her car from the one just ahead and then apply brakes, coast, or accelerate to keep that distance close to the desired one. This process represents true feedback control where the measured variable (distance of separation) is used to formulate an appropriate control response and then to actuate the brakes/accelerator according to the driver's best judgment. Feedforward control comes into the picture when the driver uses information other than the controlled variable (separation distance) that represents any measure of disturbance to the ongoing process; included would be observations that brake lights on preceding vehicle(s) are illuminating, that cars are arriving at a narrowing of the road, etc. Most good drivers also pay close attention to the rate of change of separation distance, which should remain close to zero. Later we will see that use of this variable, the time derivative of the controlled variable, is just another element in feedback control because a function of the controlled variable is involved.

1.6

- a) Feedback Control : Measured variable: y
 Manipulated variable: D, R , or B (schematic shows D)



- b) Feedforward Control: Measured variable: F
 Manipulated variable: D (shown), R or B

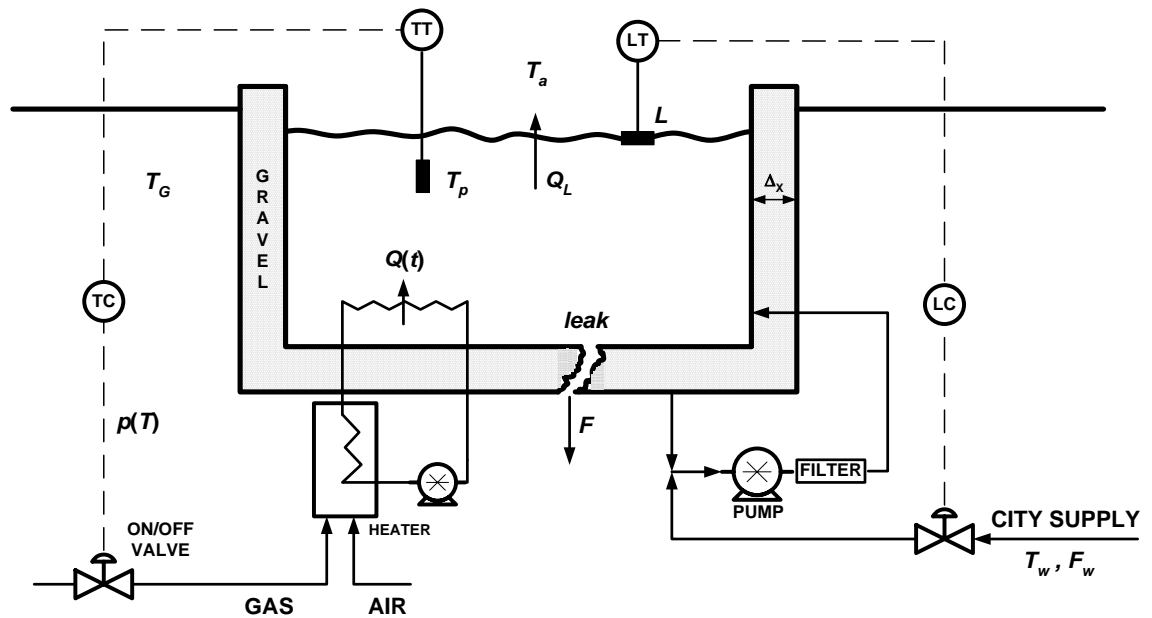


1.7

Both flow control loops are feedback control systems. In both cases, the controlled variable (flow) is measured and the controller responds to that measurement.

1.8

a)



Outputs: $T_p, L(\text{level})$

Inputs: $Q(t), F_w$

Disturbances: T_w, T_a

- b) Either T_w or T_a or both can be measured in order to add feedforward control.
- c) Steady-state energy balance

$$Q(t) = UA(T_p - T_a) + k_G \frac{(T_p - T_G)}{\Delta x} + F_w \rho C(T_p - T_w)$$

Notice that, at steady state, $F_w = F$ (from material balance.)

Here, A is the area of water surface exposed to the atmosphere

ρ is the density of supply water

C is the specific heat of supply water.

The magnitudes of the terms $UA(T_p - T_a)$ and $F_w \rho C(T_p - T_w)$ relative to the magnitude of $Q(t)$ will determine whether T_a or T_w (or both/neither) is the important disturbance variable.

- d) Determine which disturbance variable is important as suggested in part c) and investigate the economic feasibility of using its measurement for feedforward control.

1.9

- a) MV: flow of heat energy.
b) CV: room temperature.
c) A valve is used to manipulate the flow rate of the heat energy.
d) DV: outside temperature; upstream pressure of the heat energy.

1.10

The keys to a control loop are: 1) a sensor to measure the CV. 2) corrective action should be taken if deviation is measured on CV (feedback) or DV (feedforward).

Possible answers:

Climate control, engine temperature, fuel injection (maintains various ratios), auto-tinting mirrors, auto-headlights, auto-transmissions, anti-lock brake system, traction system.

1.11

CVs: waste concentration, blood temperature

MVs : flow rate.

DVs : loss of pressure ; initial waste concentration; heat losses to environment (may change blood temperature and therefore blood viscosity); equipment failure.

Longer operation times and longer residence times lead to better separation of waste components. This a batch process so the time of operation affects the final results and can be viewed as a manipulated variable.

Note: some students (wrongly) may assume that the waste concentration in the entering dialysis medium was not fixed or controlled. Hence, with increased dialysis time, it would rise and the waste concentration of the exit, "purified" blood would also rise. However, it is imperative to note that under this circumstance the overall waste concentration in the human body would decrease. Increased dialysis time lowers efficiency but improves yield.

1.12

MVs: Steam flow rate.

CVs: Tank temperature; Steam pressure to steam chest.

DVs: Feed temperature, Feed flow rate, Inlet steam pressure,

For feedforward control, both feed temperature and flow rate are measured.

When feed temperature increases, the feedforward controller will calculate a new setpoint of the slave controller and then slave controller will decrease the flow rate of the heating steam according to the new heating pressure setpoint. In this way, the tank temperature is kept at setpoint.